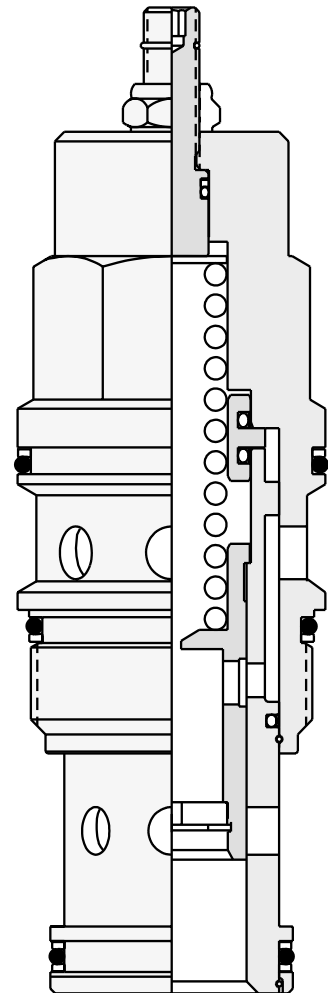


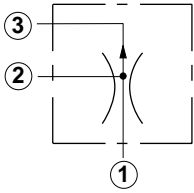
Priority Flow Control Cartridge Valves

	<i>Cartridge Type</i>	<i>Page</i>
	Bypass / Restrictive, Fixed Orifice	46
	Bypass / Restrictive, Fixed Orifice, Ventable	47
	3-Way Modulating Element	48



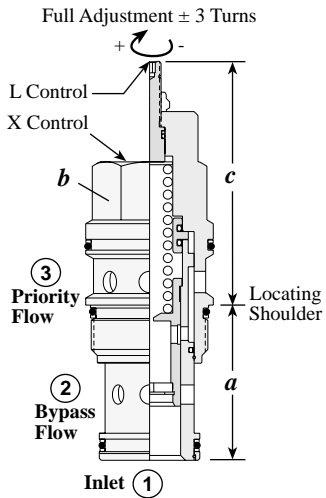
Priority Flow Control Valves

BYPASS / RESTRICTIVE, FIXED ORIFICE



Capacity	Typical Cartridge Model Code	Cavity	Cartridge Dimensions						Installation Torque (lb. ft.)
			a	b	c				
					X	L	K		
.1-3 GPM	FRBA - XAN	T - 163A	1.22	3/4"	1.25	2.55	2.77	25/30	
.1-6.0 GPM	FRCA - XAN	T - 11A	1.38	7/8"	1.19	2.50	2.75	30/35	
.1-12.0 GPM	FRDA - XAN	T - 2A	1.38	1 1/8"	1.38	2.81	3.06	45/50	
.2-25 GPM	FREA - XAN	T - 17A	1.81	1 1/4"	1.81	3.28	3.53	150/160	
.2-50 GPM	FRFA - XAN	T - 19A	2.50	1 5/8"	2.75	3.94	4.19	350/375	

OPTION ORDERING INFORMATION

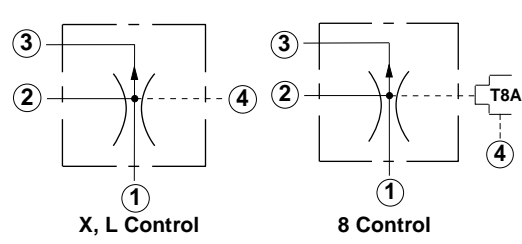
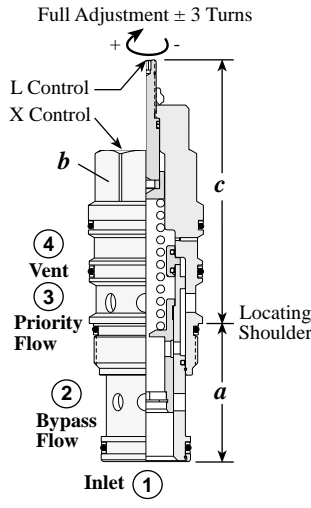


FR * A - * A *

<p>Nominal Capacity</p> <p>B .1-3 GPM</p> <p>C .1-6.0 GPM</p> <p>D .1-12.0 GPM</p> <p>E .2-25 GPM</p> <p>F .2-50 GPM</p> <p><i>Maximum Inlet Flow:</i> FRBA: 7.5 GPM FRCA: 15 GPM FRDA: 30 GPM FREA: 60 GPM FRFA: 120 GPM</p>	<p>Control**</p> <p>X Non-adjustable Factory set at customer specified flow</p> <p>L Tuning Adjustment ±25% of customer specified flow</p> <p>K Handknob for L control</p> <p><i>** See page 92 for information on Control Options</i></p>	<p>Adjustment Range</p> <p>A Fixed Orifice</p> <p>Customer must specify flow</p> <p>Priority Flow ranges: FRBA: .1 - 3 GPM FRCA: .1 - 6.0 GPM FRDA: .1 - 12.0 GPM FREA: .2 - 25 GPM FRFA: .2 - 50 GPM</p>	<p>Seal</p> <p>N Buna-N</p> <p>V Viton</p>
--	--	--	---

Priority Flow Control Valves

BYPASS / RESTRICTIVE, FIXED ORIFICE, VENTABLE



Capacity	Typical Cartridge Model Code	Cavity	Cartridge Dimensions					Installation Torque (lb. ft.)
			a	b	c			
.1-6.0 GPM	FVCA - XAN	T - 21A	1.38	7/8"	X	L	K	30/35
.1-12.0 GPM	FVDA - XAN	T - 22A	1.38	1 1/8"	X	L	K	45/50
.2-25 GPM	FVEA - XAN	T - 23A	1.81	1 1/4"	X	L	K	150/160
.2-50 GPM	FVFA - XAN	T - 24A	2.50	1 5/8"	X	L	K	350/375

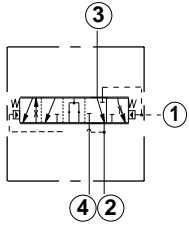
OPTION ORDERING INFORMATION

FV * A - * A *

<p>Nominal Capacity</p> <p>C .1-6.0 GPM</p> <p>D .1-12.0 GPM</p> <p>E .2-25 GPM</p> <p>F .2-50 GPM</p> <p><i>Maximum Inlet Flow:</i> FVCA: 15 GPM FVDA: 30 GPM FVEA: 60 GPM FVFA: 120 GPM</p>	<p>Control**</p> <p>X Non-adjustable factory set at customer specified flow</p> <p>L Tuning Adjustment ±25% of customer specified flow</p> <p>K Handknob for L control</p> <p>8 T-8A cavity in hex body for pilot operation (Pilot valve to be ordered separately)</p> <p><small>** See page 92 for information on Control Options</small></p>	<p>Adjustment Range</p> <p>A Fixed Orifice</p> <p>Customer must specify flow</p> <p><i>Priority Flow ranges:</i> FVCA: .1 - 6.0 GPM FVDA: .1 - 12.0 GPM FVEA: .2 - 25 GPM FVFA: .2 - 50 GPM</p> <p><i>With Port 4 open, all flow diverts to Port 2, if pressure at Port 1 is 150 psi or higher. Maximum vent flow = 22.5 fl.oz.</i></p>	<p>Seal</p> <p>N Buna-N</p> <p>V Viton</p>
--	--	---	---

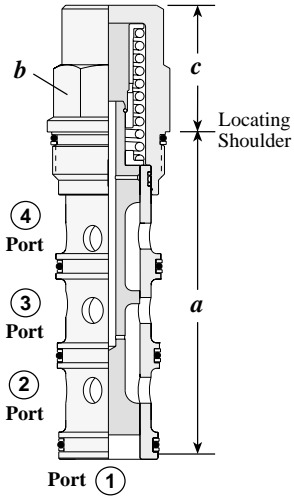
Priority Flow Control Valves

3-WAY MODULATING ELEMENT



Maximum Inlet Flow	Typical Cartridge Model Code	Cavity	Cartridge Dimensions			Installation Torque (lb. ft.)
			a	b	$\frac{c}{X}$	
15 GPM	LHDA - XFN	T - 31A	3.34	7/8"	1.18	30/35
30 GPM	LHFA - XFN	T - 32A	3.63	1 1/8"	1.31	45/50
60 GPM	LHHA - XFN	T - 33A	4.50	1 1/4"	1.63	150/160
120 GPM	LHJA - XFN	T - 34A	5.50	1 5/8"	2.00	350/375

OPTION ORDERING INFORMATION



LH * A - X * *

Maximum Inlet Flow	Control**	Adjustment Range	Seal
D 15 GPM	X Non-adjustable	E 75 - 100 psi	N Buna-N
F 30 GPM		F 100 - 140 psi	V Viton
H 60 GPM			
J 120 GPM			

** See page 92 for information on Control Options